

24RCC/RK

2004R ROLLER KIT

COMPONENTS LIST:

1 MODIFIED CENTER SUPPORT
1 MODIFIED LO-REVERSE CLUTCH HOUSING
1 MODIFIED REAR INTERNAL GEAR
2 LARGE THRUST BEARING ASSEMBLIES
1 SMALL THRUST BEARING ASSEMBLY

ASSEMBLY INSTRUCTIONS

FIT THE SMALL THRUST BEARING ASSEMBLY INTO THE FRONT FACE OF THE CENTER SUPPORT WITH THE BLACK SIDE OF THE BEARING FACING DOWN.

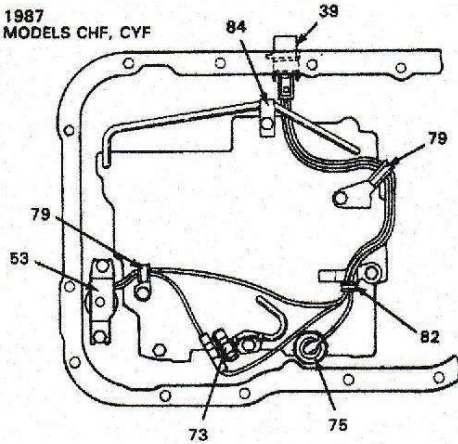
FIT ONE LARGE THRUST BEARING ASSEMBLY INTO THE LO-REVERSE CLUTCH HOUSING WITH THE BLACK SIDE OF THE BEARING FACING UP.

FIT ONE LARGE THRUST BEARING ASSEMBLY INTO THE REAR INTERNAL GEAR WITH THE BLACK SIDE OF THE BEARING FACING UP.

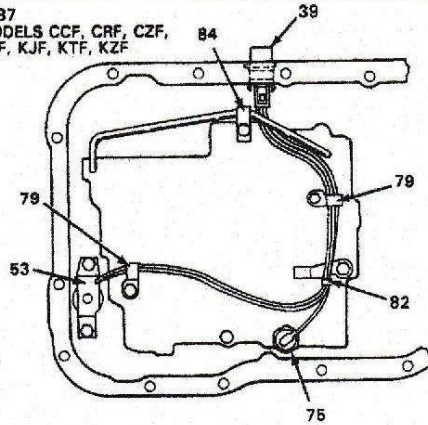
BUSHING INFORMATION

DUE TO THE DISCONTINUATION OF OEM REPLACEMENT BUSHINGS AND POOR FITMENT OF AFTERMARKET REPLACEMENT BUSHINGS, BUSHED COMPONENTS ARE ONLY REPLACED IF OUT OF SPECIFICATION AFTER INSPECTION. DO NOT REPLACE BUSHINGS IN SUPPLIED COMPONENTS. SPECIFICATIONS HAVE BEEN QUALIFIED.

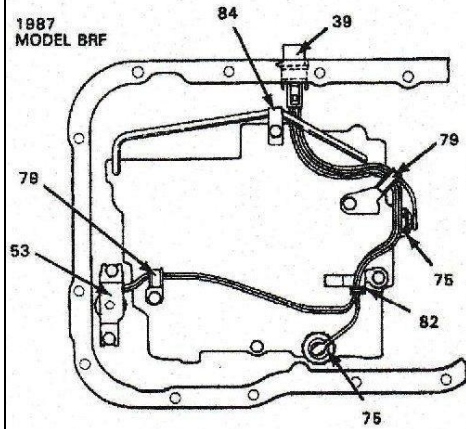
1987
MODELS CHF, CYF



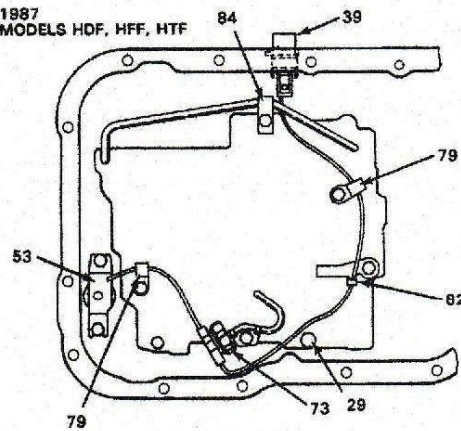
1987
MODELS CCF, CRF, CZF,
KCF, KJF, KTF, KZF



1987
MODEL BRF



1987
MODELS HDF, HFF, HTF



ILL.
NO.

DESCRIPTION

- 29 PLUG, HEX HEAD 1/8" PIPE (2)
- 39 CONNECTOR, ELECTRICAL
- 53 SOLENOID ASSEMBLY
- 73 SWITCH, PRESSURE 4-3
- 75 SWITCH ASSEMBLY, PRESSURE (3RD OR 4TH)
- 79 CLIP, SOLENOID WIRE (2)
- 82 CLIP, FILTER RETAINER
- 84 RETAINER, SIGNAL OIL PIPE